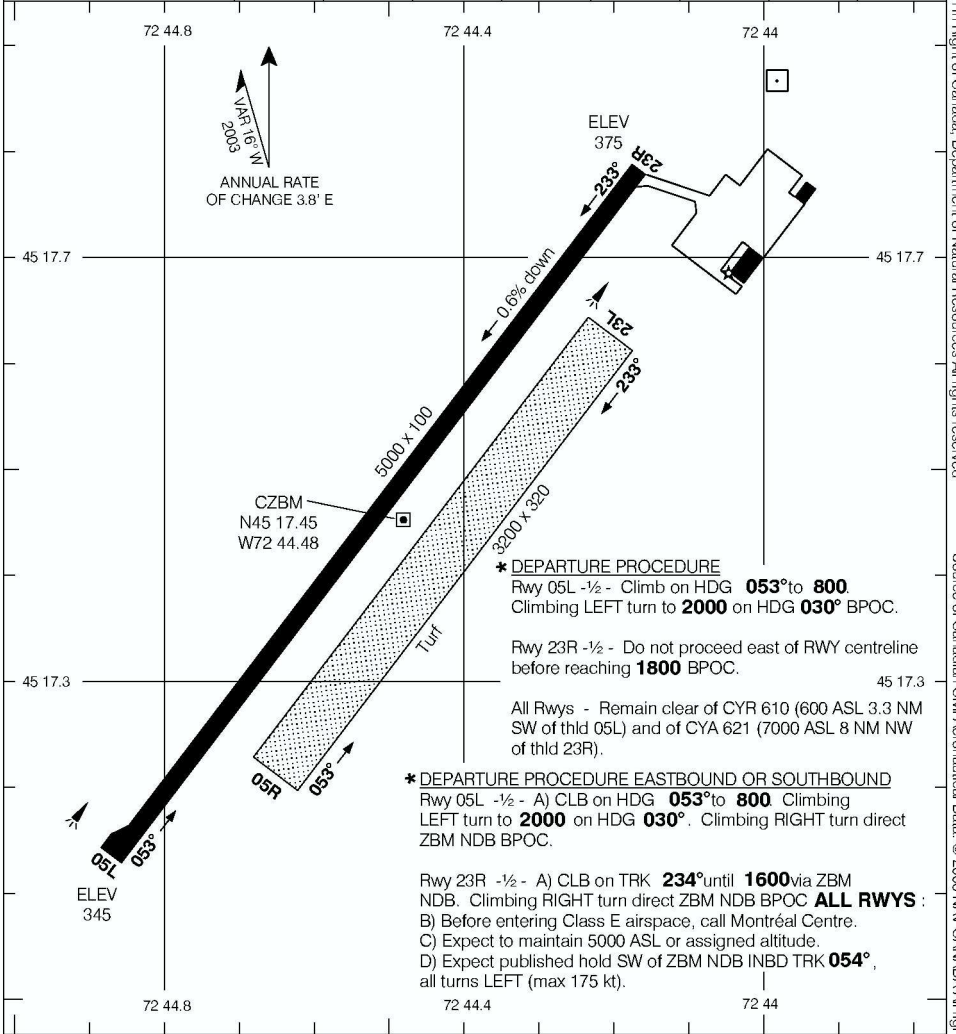


AERODROME CHART

BROMONT
BROMONT QC

FOR IFR CLEARANCE TELEPHONE QUEBEC RADIO	☉ UNICOM (AU) 122.15 (MF 5 NM) O/T TFC 122.15	DEP MONTREAL CENTRE 132.35
---------------------------------------------------------	--------------------------------------------------------------	-------------------------------------------

DECLARED DISTANCES	05L	23R					
	TORA	5000	5000				
TODA	5000	6000					
ASDA	5000	5000					
LDA	5000	5000					



*** DEPARTURE PROCEDURE**
 Rwy 05L -½ - Climb on HDG **053°** to **800**.
 Climbing LEFT turn to **2000** on HDG **030°** BPOC.

Rwy 23R -½ - Do not proceed east of RWY centreline before reaching **1800** BPOC.

All Rwys - Remain clear of CYR 610 (600 ASL 3.3 NM SW of thld 05L) and of CYA 621 (7000 ASL 8 NM NW of thld 23R).

*** DEPARTURE PROCEDURE EASTBOUND OR SOUTHBOUND**
 Rwy 05L -½ - A) CLB on HDG **053°** to **800**. Climbing LEFT turn to **2000** on HDG **030°**. Climbing RIGHT turn direct ZBM NDB BPOC.

Rwy 23R -½ - A) CLB on TRK **234°** until **1600** via ZBM NDB. Climbing RIGHT turn direct ZBM NDB BPOC **ALL RWYS** :
 B) Before entering Class E airspace, call Montréal Centre.
 C) Expect to maintain 5000 ASL or assigned altitude.
 D) Expect published hold SW of ZBM NDB INBD TRK **054°**, all turns LEFT (max 175 kt).

TAKE-OFF MINIMA	SCALE IN FEET
Rwys 05L, 23R: *	1000 0 1000 2000

AERODROME CHART
EFF 13 APR 06 CHANGE: Editorial

BROMONT QC
BROMONT
NAD83

© 2006 Her Majesty The Queen In Right of Canada, Department of Natural Resources All rights reserved
Source of Canadian Civil Aeronautical Data © 2006 NAV CANADA All rights reserved